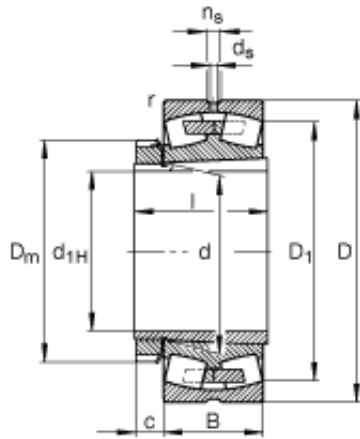




Shandong Chik Bearing Co., Ltd.



160 mm x 270 mm x 86 mm 160 mm x 270 mm
x 86 mm FAG 23132-E1A-K-M + H3132 spherical
roller bearings

Bearing No. 23132-E1A-K-M + H3132

23132-E1A-K-M + H3132 Bearing 2D drawings and 3D
CAD models

Size	140x270x86 mm
Bore Diameter	140 mm
Outer Diameter	270 mm
Width	86 mm
d_{1H}	140 mm
D	270 mm
B	86 mm
$B_{a\ min}$	8 mm
c	28 mm
D_1	238,3 mm
$D_{a\ max}$	258 mm
D_m	210 mm
d	160 mm
$d_{a\ max}$	183 mm
$d_{b\ min}$	170 mm
d_s	8 mm
l	119 mm
n_s	15 mm
$r_{a\ max}$	2,1 mm
r_{min}	2,1 mm
	H3132 / Adapter sleeve
m	18,6 kg / Weight
m_1	7,81 kg / Weight, adapter



Shandong Chik Bearing Co., Ltd.

	sleeve
C_r	1160000 N
e	0,29
Y_1	2,32
Y_2	3,45
C_{or}	1550000 N / Static load rating (radial)
Y_0	2,26
n_G	2490 1/min / Limiting speed
n_B	1590 1/min / Reference speed