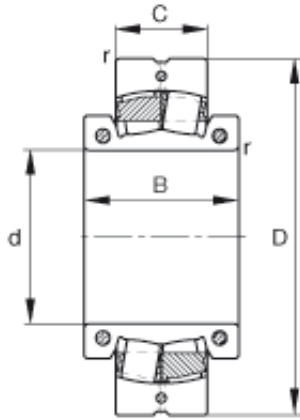




Shandong Chik Bearing Co., Ltd.



300 mm x 580 mm x 212 mm 300 mm x 580 mm
x 212 mm FAG 222SM300-MA spherical roller
bearings

Bearing No. 222SM300-MA

Size	300x580x150 mm
Bore Diameter	300 mm
Outer Diameter	580 mm
Width	150 mm
d	300 mm
D	580 mm
C	150 mm
B	212 mm
r_{\min}	5 mm
m	214 kg / Weight
C_r	2650000 N / Dynamic load rating (radial)
e	0,24
Y_1	2,84
Y_2	4,23
C_{0r}	4050000 N / Static load rating (radial)
Y_0	2,78
n_G	480 1/min / Limiting speed
C_{ur}	228000 N / Fatigue limit load, radial
$F_{a \max}$	60000 N / Permissible axial load, for inner ring without axial abutment
M_i	295 Nm / Tightening torque per clamping screw

222SM300-MA Bearing 2D drawings and 3D CAD
models



Shandong Chik Bearing Co., Ltd.

M_a	120 Nm / Tightening torque per clamping screw
	22264K / Designation, spherical roller bearing, unsplit