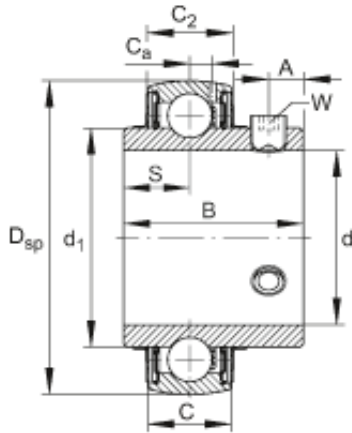




Shandong Chik Bearing Co., Ltd.



FAG UC211-34 deep groove ball bearings

Bearing No. UC211-34

Size	53.975x100x55.6 mm
Bore Diameter	53,975 mm
Outer Diameter	100 mm
Width	55,6 mm
d	53,975 mm
d	2 1/8 inch
D _{SP}	100 mm
B	55,6 mm
A	10 mm
C	25 mm
C ₂	25,6 mm
C _a	7 mm
d ₁	69,77 mm
S	22,2 mm
W	3/16 inch
m	1,11 kg / Weight
C _r	46000 N / Dynamic load rating (radial)

UC211-34 Bearing 2D drawings and 3D CAD models