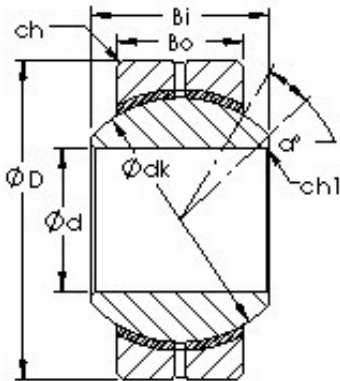




Shandong Chik Bearing Co., Ltd.



AST GEBK6S plain bearings

Bearing No. GEBK6S

| | |
|--|---|
| Bore Diameter | 6 mm |
| Outer Diameter | 18 mm |
| Bearing Type - bronze-on-steel radial | bronzeonsteel radial |
| Bore Dia (d) | 6.0000 |
| Outer Dia (D) | 18.0000 |
| Outer Width (Bo) | 6.7500 |
| Inner Width (Bi) | 9.0000 |
| Dynamic Load Rating (Cr) | 4,300 |
| Static Load Rating (Cor) | 9,800 |
| Max. shaft corner radius, or 45 deg. chamfer (ch1) | 0.300 |
| Max. housing corner radius, or 45 deg. chamfer (ch) | 0.300 |
| Spherical Diameter (dk or Dk) | 12.700 |
| Mis-alignment Angle (a deg.) | 13 |
| Weight (g) | 13.00 |
| Material - Outer ring - Carbon steel with bronze liner, Inner ring | 52100 chrome steel or equivalent with hard chrome plating |

GEBK6S Bearing 2D drawings and 3D CAD models