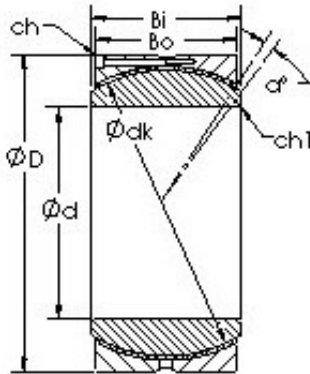




Shandong Chik Bearing Co., Ltd.



AST GEC500HC plain bearings

Bearing No. GEC500HC

Bore Diameter	500 mm
Outer Diameter	670 mm
Bearing Type	smaller profile
Bore Dia (d)	500.0000
Outer Dia (D)	670.0000
Outer Width (Bo)	195.0000
Inner Width (Bi)	230.0000
Dynamic Load Rating (Cr)	11,400,000
Static Load Rating (Cor)	22,800,000
Max. shaft corner radius, or 45 deg. chamfer (ch1)	2.000
Max. housing corner radius, or 45 deg. chamfer (ch)	5.000
Spherical Diameter (dk or Dk)	585.000
Mis-alignment Angle (a deg.)	3
Weight (g)	248,000.00
Material	Outer ring made from carbon steel, inner ring 52100 chrome steel or equivalent

GEC500HC Bearing 2D drawings and 3D CAD models