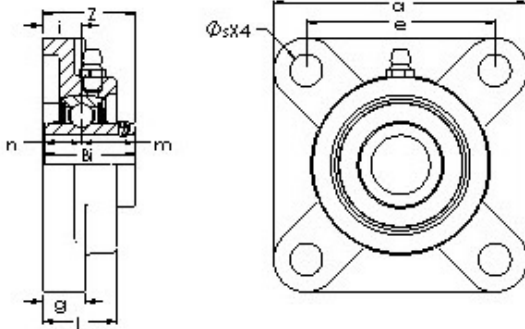




Shandong Chik Bearing Co., Ltd.



AST UCF 202-10G5PL bearing units

Bearing No. UCF 202-10G5PL

Bore Diameter	15,875 mm
Bearing Type	Thermoplastic housing
Dynamic Load Rating (Cr)	2,887
Static Load Rating (Cor)	1,499
Shaft Dia. (Fw)	0.6250
Mounting Hole Center-to-Center (e)	2.1260
Housing Length (a)	3.0310
Housing Base Thickness (g)	0.5236
Bearing Inner Race Width (Bi)	0.5000
Bearing Inner Race Width - Short Side (n)	0.7205
Bearing Inner Race Width - Extended Side (m)	0.7205
Mounting Bolt Size	0.3740
Mounting Hole Dia. (s)	0.4212
Flange Assembly Height (Z)	1.4290
Flange Height (l)	1.1020
Mounting Base to Bearing Center (i)	0.7087
Material	Molded thermoplastic housing, chrome steel bearing

UCF 202-10G5PL Bearing 2D drawings and 3D CAD models