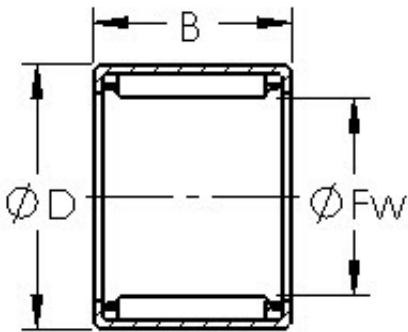




# Shandong Chik Bearing Co., Ltd.



## AST HK3516 needle roller bearings

Bearing No. HK3516

Size	35x42x16 mm
Bore Diameter	35 mm
Outer Diameter	42 mm
Width	16 mm
Bearing Type	Cage Retained Rollers
Outer Dia (D)	42.0000
Width (B)	16.0000
Dynamic Load Rating (Cr)	18,700
Static Load Rating (Cor)	33,500
Max Speed (Grease) (X1000 RPM)	7,500
Shaft (Fw)	35.000
Weight (g)	36.00
Material - Drawn cup: Hardened carbon steel alloy, Rollers	52100 Chrome steel or equivalent

HK3516 Bearing 2D drawings and 3D CAD models